

### Description

The NuVent PF Series fans feature a permanently lubricated, high performance motor and a unique Quick-Lock mounting bracket to allow for easy installation. A one-piece molded housing assures quiet operation. Ideal for use in bathrooms, powder rooms, utility areas and rec rooms.

### Features

#### Grille

- Textured, white polymeric.
- Mounts directly to housing with torsion springs.

#### Housing

- One-piece molded plastic.
- Extended discharge collar for easy attachment to 4" diameter duct.
- Quick-Lock mounting bracket for right or left ducting.
- Removable electrical cover and knockouts on side and top of housing for easy wiring.
- Large removable wiring compartment.

#### Blower

- Built-in backdraft damper.
- Removable blower with easy slide-in mounting
- Plug in motor rated for 120 volts 60 Hz operation.

#### Other

- Permanently lubricated, shaded pole motor.
- This product is approved for use over tub/shower enclosures when installed in a GFI protected branch circuit.

### Performance

- Air Delivery – 70 CFM @ .1" w.g. s.p.
- Sound Level - 4.5 sones
- Volts - 120
- Hertz - 60
- Amps – .88
- Watts – 49.4
- Duct - 4" round



The Home Ventilating Institute has tested and certified the airflow performance (CFM) and sound levels (sones) of this product.

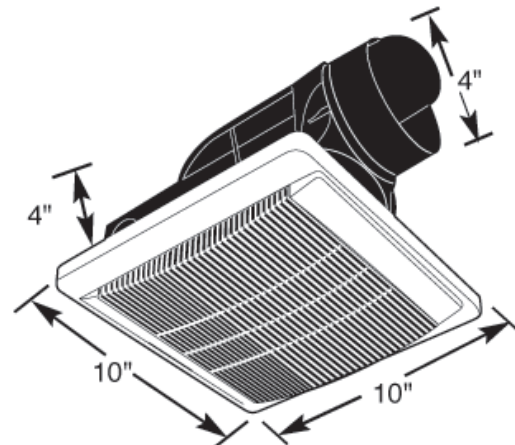
### General

This product has been evaluated by Underwriters Laboratories and conforms to both UL and CSA safety standards.

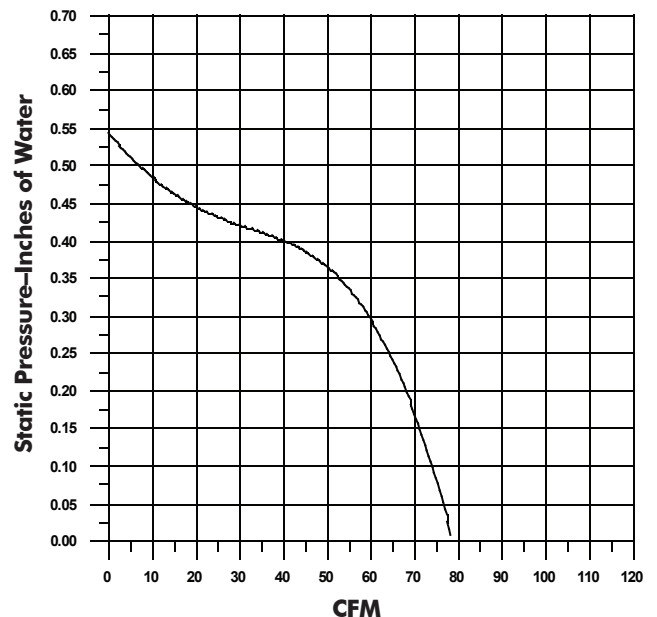


### Specifications

NuVent ventilator model PF70. The ventilator shall be constructed with a one-piece molded plastic housing including Quick-Lock mounting bracket and 4" diameter discharge collar. The blower unit shall be removable with a plug-in motor. Air delivery and sound levels shall be certified by HVI at the levels listed for this model. All units shall be UL listed.



**NuVent Product Performance  
Model NXPF70**



SPECIFICATION			PROJECT:
Reference	Quantity	Comments	Location:
			Architect:
			Engineer:
			Contractor:
			Submitted by:
			Date: