



# Specification Sheet Model NXHVL Series

## Description

The NuVent HVL Series combination units are designed to enable multiple functions in one installation. Three models to choose from: heat with ventilation exhaust (HV); heat with bright ceiling light (HL); heat with ventilation exhaust and bright ceiling light (HVL). The sturdy housing has adjustable hanger bars to make installation easy.

## Features

### Grille

- Contemporary curved design.
- White polymeric plastic.
- Mounts securely to housing with screw.

### Housing

- Heavy, 22-gauge steel construction.
- Adjustable hanger bars for secure installation.
- Open access wiring compartment.
- Do not install in ceiling with thermal insulation value greater than R-40.
- 4" discharge for venting.

### Heater Unit (all models)

- 1400 watts.
- Electric fan-forced heat.

### Light

- Bright 100-watt incandescent light (bulb not included).

### Blower (HVL, HV models)

- Removable blower with easy slide-in mounting.
- Plug-in motor; rated for 120 volts 60Hz operation.

## Performance

- Air Delivery - 72cfm @ .1"w.g. s.p.
- Sound Level - 5.5 sones
- Volts - 120
- Hertz - 60
- Amps - 13.7 (20 amp branch circuit recommended)
- Watts - 1530
- Lamp - 100 watt maximum A-19
- Duct - 4" round

The Home Ventilating Institute has tested and certified the airflow performance (CFM) and sound levels (sones) of this product.

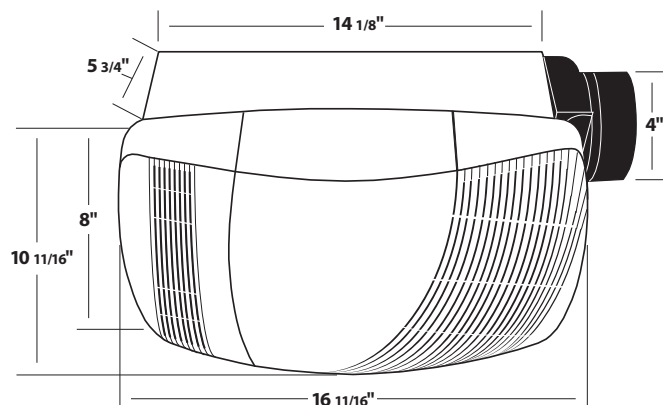
## General

This product has been evaluated by Underwriters Laboratories and conforms to both UL and CSA safety standards.

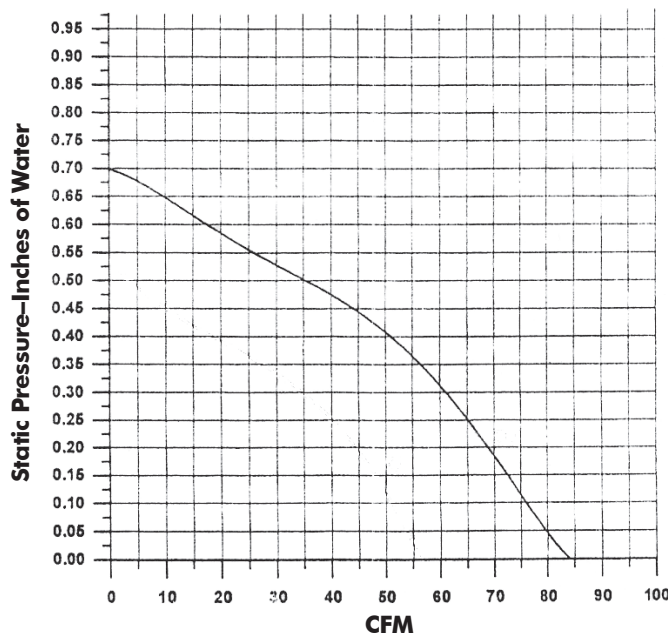


## Specifications

NuVent HVL Series. The HVL Series shall be constructed with a galvanized steel housing and 4" diameter discharge collar. The blower unit shall be removable with a permanently lubricated, plug-in motor. Air delivery and sound levels shall be certified by HVI at the levels listed for this model. All units shall be UL listed.



NuVent Product Performance  
Model NXHVL SERIES



SPECIFICATION			PROJECT:
Reference	Quantity	Comments	Location:
			Architect:
			Engineer:
			Contractor:
			Submitted by:
			Date: